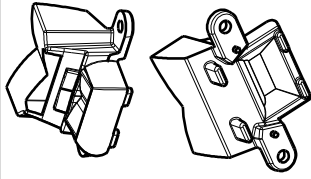
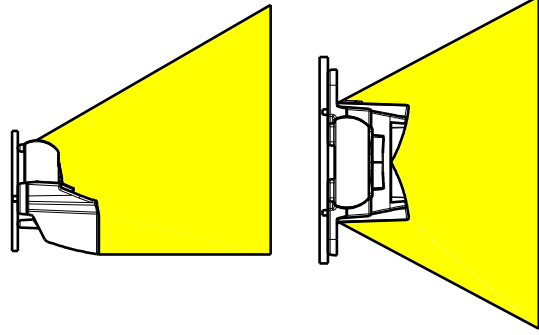


Light Emission

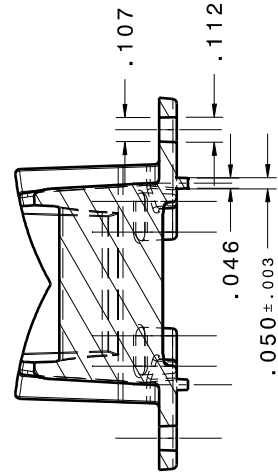
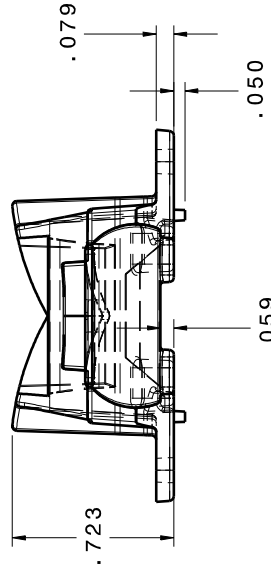
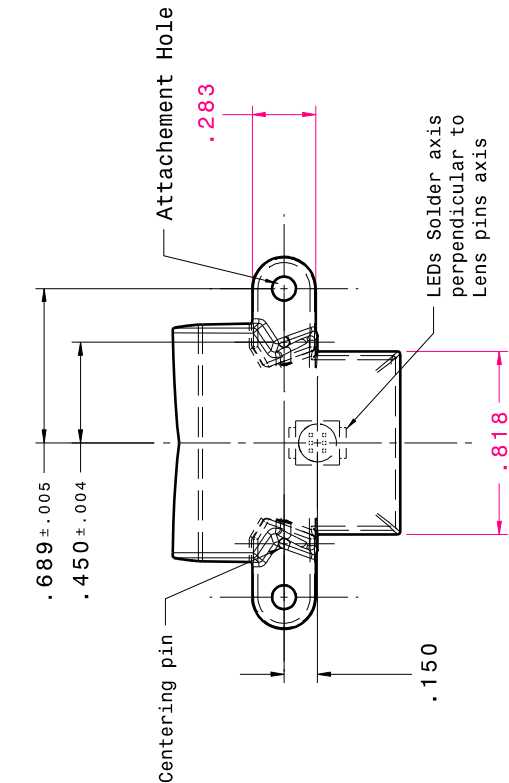


PROJECTION ANSI
3rd PROJECTION

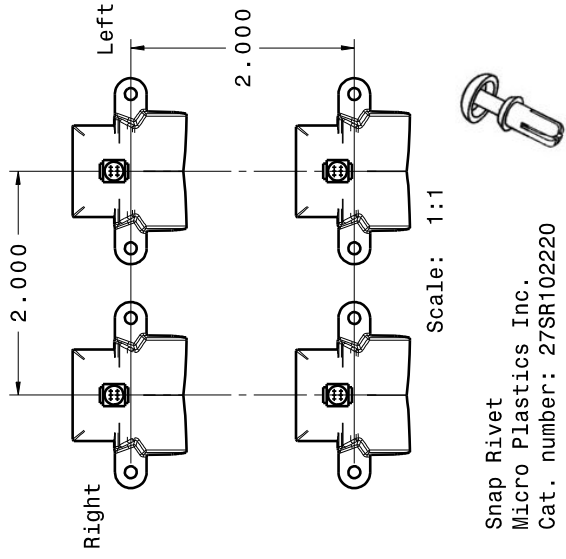
TOLERANCE GÉNÉRALES / GENERAL TOLERANCES

ALL DIMENSIONS ARE ACCORDING TO SPI/SPE COMMERCIAL CLASS UNLESS SPECIFIED

UNLESS SPECIFIED / UNLESS OTHERWISE INDICATED



Minimum Spacing



Snap Rivet
Micro Plastics Inc.
Cat. number: 27SR102220

NOTES:

- MATERIAL : PMMA (UL 94 HB)
- WEIGHT : 6.5 g
- DIMENSIONS IN INCHES
- ** PATENT PENDING **
- LED: NICHIA NS6083

CHIEF OF PROJECT	DATE D'ÉLABORATION	REV. NO. / RÉVISION
GEORGE IATAN		
DESIGNER	DATE DE DÉPART	NO. DE DÉPART
KEITH ROSS	2008-12-04	
RESIDENTIAL OFFICER	PROJET / PROJ.	PROJ. NO.
ERIC MARCOUX	/ /	2: 1 / 1 / 1
RESIDENTIAL		
Nicolas Letendre		
N-T2S		
 DBM REFLEX ENTREPRISES INC. 1600 DAGENIS OUEST LAVAL, QUÉBEC, CANADA, H7L 5C7		