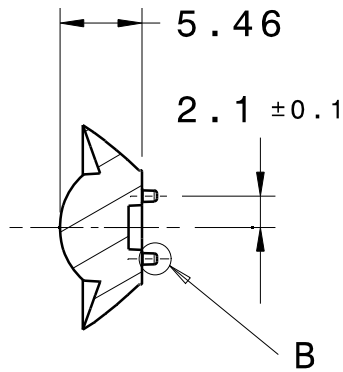
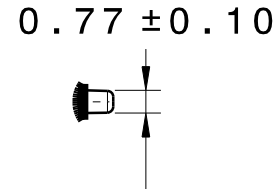


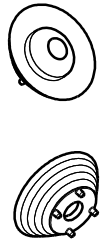
Front view  
Scale: 2:1



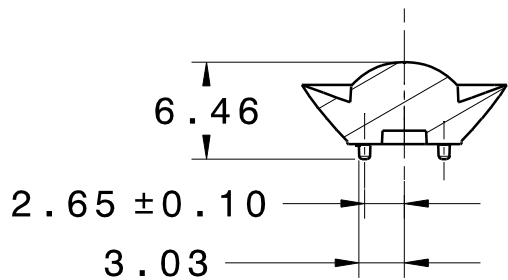
Section view A-A  
Scale: 2:1



Detail B  
Scale: 4:1



Isometric view  
Scale: 1:1

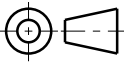


Section view C-C  
Scale: 2:1

**NOTES:**

- MATERIAL: ACRYLIC
- WEIGHT: 0.4g

PROJECT MANAGER George Iatan	DIFFUSION DATE:	FILE: 2D_0-001_mo4451.CATDrawing
OPTICAL DESIGNER Stephane Gingras	DRAWING DATE: Mai 2nd, 2008	DWG NUMBER 4451-14-1
DESIGNER Cedric Stevenin	VERIFIED BY:	SCALE 2 : 1
DRAFTSMAN Philippe Lévesque		FOLIO: 1 / 1

 3rd PROJECTION
<b>GENERAL TOLERANCES</b>
All dimension are according to SPI/SPE, commercial class, unless specified.

TITRE: <b>0-001</b> ---
DBM REFLEX ENTREPRISES INC. 1620 DAGENAIS OUEST LAVAL, QUÉBEC, CANADA, H7L 5C7