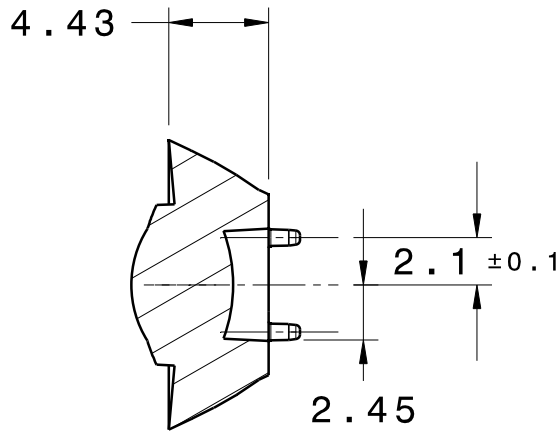
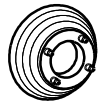


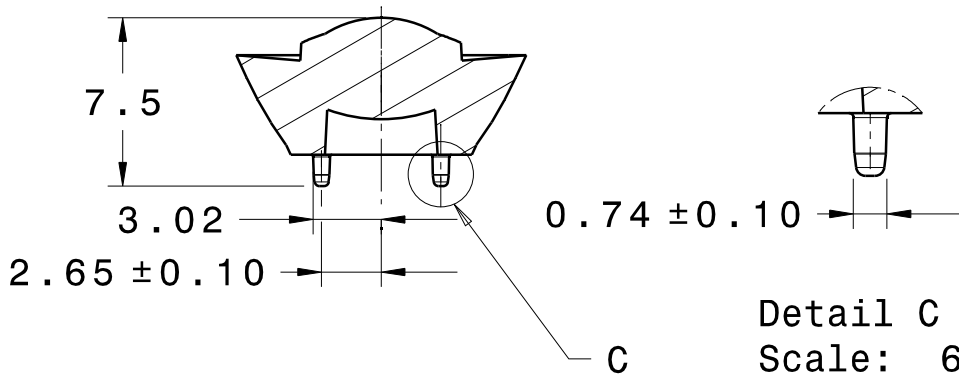
Front view
Scale: 3:1



Section view A-A
Scale: 3:1



Isometric view
Scale: 1:1



Section view B-B
Scale: 3:1

Detail C
Scale: 6:1

NOTES:

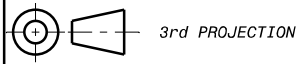
- MATERIAL: ACRYLIC
- WEIGHT: 0.4g

Département:

| | | |
|--------------------------------------|--------------------------------|-------------------------------------|
| PROJECT MANAGER George Iatan | DIFFUSION DATE: | FILE: 2D_0-003_mo4451.CATDrawing |
| OPTICAL DESIGNER Stephane Gingras | DRAWING DATE: Mai 2nd, 2008 | DWG NUMBER 4451-17-1 |
| DESIGNER Cedric Stevenin | VERIFIED BY: | SCALE 2 : 1 |
| DRAFTSMAN Philippe Lévesque | | FOLIO: 1 / 1 |

TITRE:

0-003



3rd PROJECTION

GENERAL TOLERANCES

All dimension are according to SPI/SPE, commercial class, unless specified.

DBM REFLEX ENTREPRISES INC.

1620 DAGENAI OUEST LAVAL, QUÉBEC, CANADA, H7L 5C7