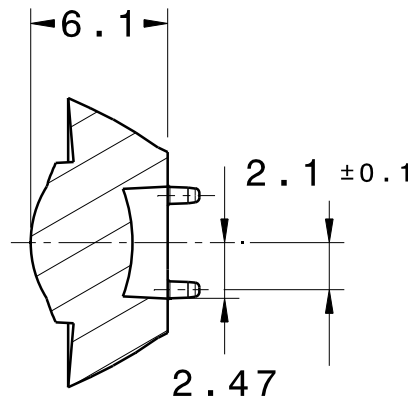


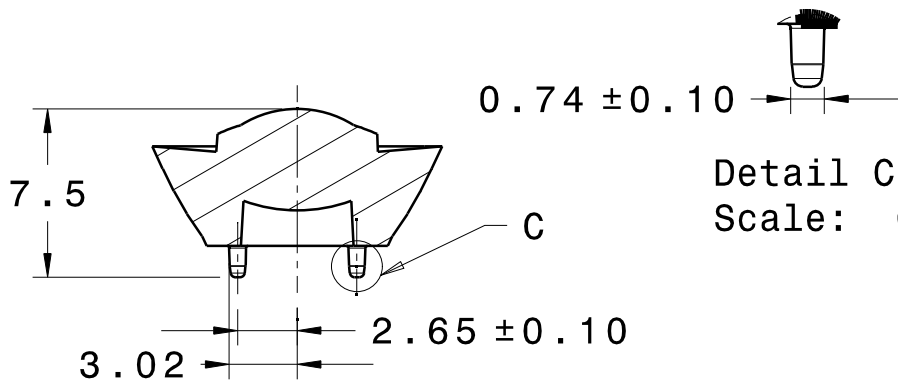
Front view $\varnothing 12.89 \pm 0.15$
Scale: 3:1



Section view A-A
Scale: 3:1



Isometric view
Scale: 1:1



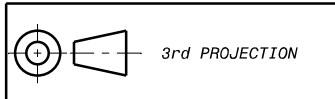
Section view B-B
Scale: 3:1

Detail C
Scale: 6:1

NOTES:

- MATERIAL: ACRYLIC
- WEIGHT: 0.4g

PROJECT MANAGER George Iatan	DIFFUSION DATE:	FILE: 2D_0-003s_mo4451.CATDrawing
OPTICAL DESIGNER Stephane Gingras	DRAWING DATE: MAY 6th, 2008	DWG NUMBER 4451-17s-1
DESIGNER Cedric Stevenin	VERIFIED BY:	SCALE 3 : 1
DRAFTSMAN Philippe Lévesque		FOLIO: 1 / 1



GENERAL TOLERANCES

All dimension are according to SPI/SPE, commercial class, unless specified.

TITRE:
0-003s

DBM REFLEX ENTREPRISES INC.
1620 DAGENAIS OUEST LAVAL, QUÉBEC, CANADA, H7L 5C7