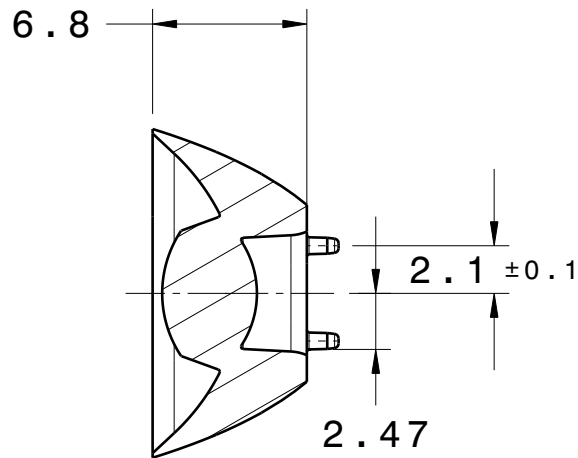
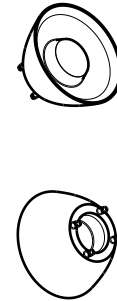


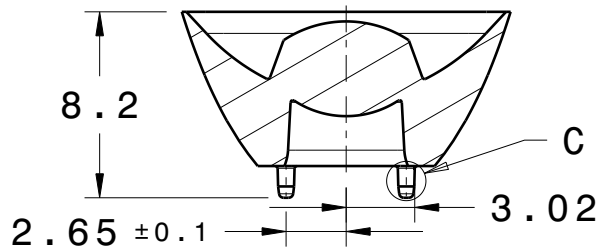
Scale: 3:1



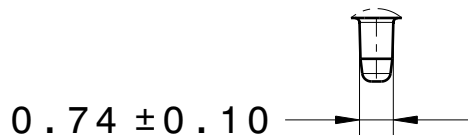
Section view A-A
Scale: 3:1



Scale: 1:1



Section view B-B
Scale: 3:1

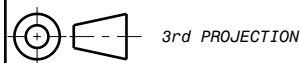


Detail C
Scale: 6:1

NOTES:

- MATERIAL: ACRYLIC
- WEIGHT: 0.55 g
- DIMENSIONS IN MM

PROJECT MANAGER George Iatan	DIFFUSION DATE:	FILE: 2D-0- 005_mo4451.CATDrawing
SUPERVISOR Yann Trovaley	DRAWING DATE: JULY 1st, 2008	DWG NUMBER ---
DESIGNER	VERIFIED BY	SCALE 1 : 1
DRAFTMAN Philippe Lévesque		FOLIO: 1 / 1



GENERAL TOLERANCES

All dimension are according to SPI/SPE, commercial class, unless specified.

0-005

DBM REFLEX ENTREPRISES INC.

1620 DAGENAIS OUEST LAVAL, QUÉBEC, CANADA, H7L 5C7