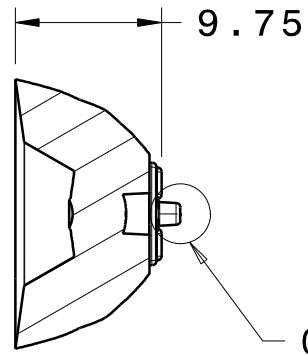
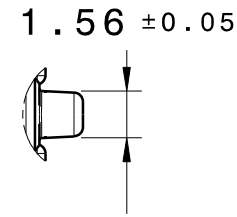


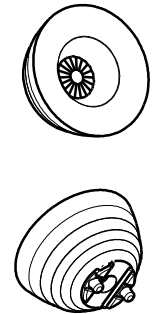
Front view  
Scale: 2:1



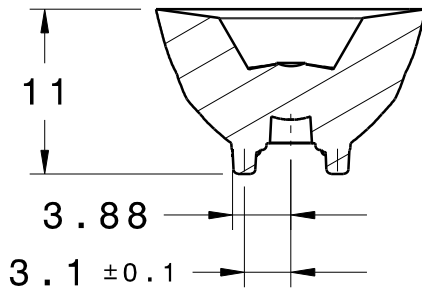
Section view A-A  
Scale: 2:1



Detail C  
Scale: 4:1



Isometric view  
Scale: 1:1

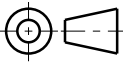


Section view B-B  
Scale: 2:1

**NOTES:**

- MATERIAL: ACRYLIC
- WEIGHT: 1.6g

PROJECT MANAGER George Iatan	DIFFUSION DATE:	FILE: 2D_R-001_mo4684.CATDrawing
OPTICAL DESIGNER Stephane Gingras	DRAWING DATE: MAY 5th, 2008	DWG NUMBER 4684-8-1
DESIGNER Cedric Stevenin	VERIFIED BY:	SCALE 2 : 1
DRAFTSMAN Philippe Lévesque		FOLIO: 1 / 1

 3rd PROJECTION
<b>GENERAL TOLERANCES</b>
All dimension are according to SPI/SPE, commercial class, unless specified.

TITRE: <h1>R-001</h1> ---
<b>DBM REFLEX ENTREPRISES</b> INC. 1620 DAGENAIS OUEST LAVAL, QUÉBEC, CANADA, H7L 5C7