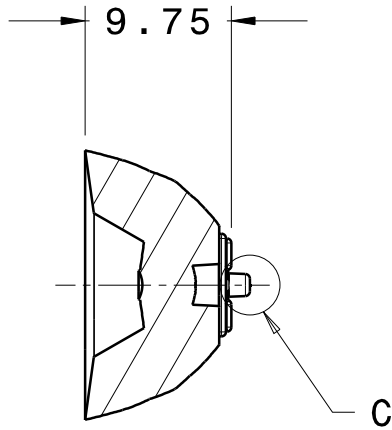
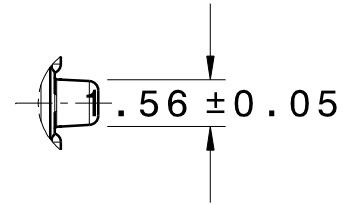


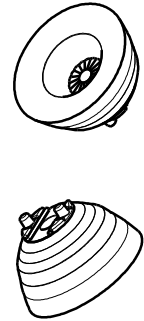
Front view
Scale: 2:1



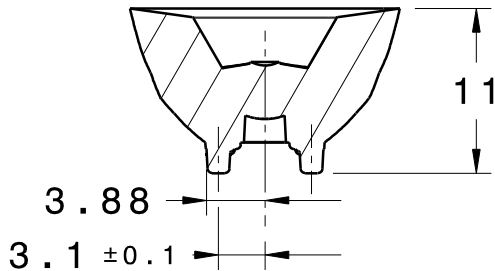
Section view A-A
Scale: 2:1



Detail C
Scale: 4:1



Isometric view
Scale: 1:1

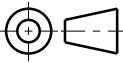


Section view B-B
Scale: 2:1

NOTES:

- MATERIAL: ACRYLIC
- WEIGHT: 1.6g

PROJECT MANAGER George Iatan	DIFFUSION DATE:	FILE: 2D_R-001s_mo4684.CATDrawing
OPTICAL DESIGNER Stephane Gingras	DRAWING DATE: MAY 5th, 2008	DWG NUMBER 4684-8s-1
DESIGNER Cedric Stevenin	VERIFIED BY:	SCALE 2 : 1
DRAFTSMAN Philippe Lévesque		FOLIO: 1 / 1

 3rd PROJECTION
GENERAL TOLERANCES
All dimension are according to SPI/SPE, commercial class, unless specified.

TITRE: R-001s ---
DBM REFLEX ENTREPRISES INC. 1620 DAGENAIS OUEST LAVAL, QUÉBEC, CANADA, H7L 5C7