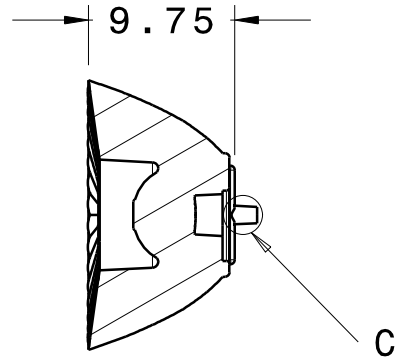
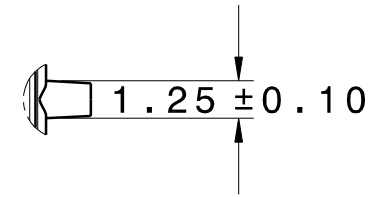


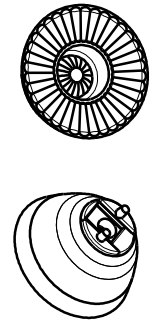
Front view
Scale: 2:1



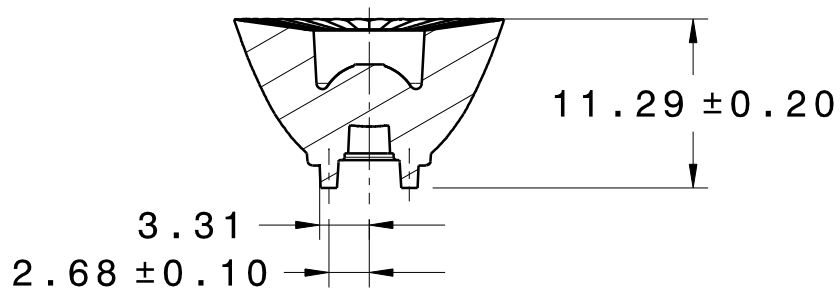
Section view B-B
Scale: 2:1



Detail C
Scale: 4:1



Isometric view
Scale: 1:1

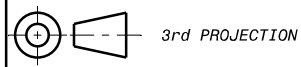


Section view A-A
Scale: 2:1

NOTES:

- MATERIAL: ACRYLIC
- WEIGHT: 1.4g

PROJECT MANAGER George Iatan	DIFFUSION DATE:	FILE: dbm13A-7P-GDW-2.CATPart
OPTICAL DESIGNER Stephane Gingras	DRAWING DATE: MAY 5th, 2008	DWG NUMBER 4684-5-1
DESIGNER Cedric Stevenin	VERIFIED BY:	SCALE: 2 : 1
DRAFTSMAN Philippe Lévesque		FOLIO: 1 / 1



GENERAL TOLERANCES

All dimension are according to SPI/SPE, commercial class, unless specified.

R-002

DBM REFLEX ENTREPRISES INC.

1620 DAGENAIS OUEST LAVAL, QUÉBEC, CANADA, H7L 5C7