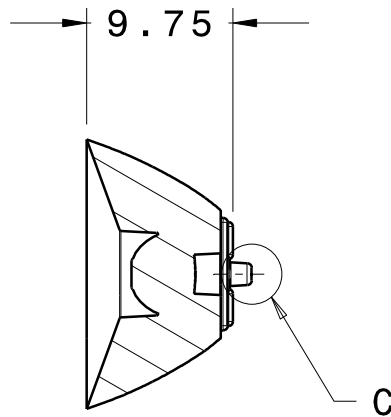
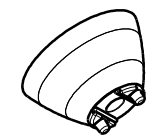


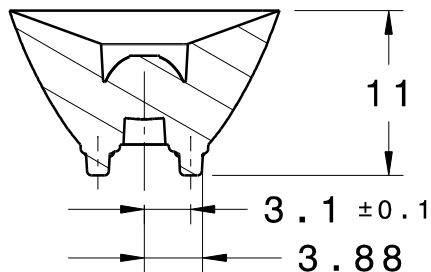
Front view
Scale: 2:1



Section view A-A
Scale: 2:1

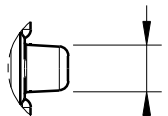


Isometric view
Scale: 1:1



Section view B-B
Scale: 2:1

1.56 ± 0.05

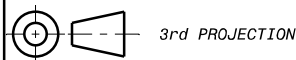


Detail C
Scale: 4:1

NOTES:

- MATERIAL: ACRYLIC
- WEIGHT: 1.4g

PROJECT MANAGER George Iatan	DIFFUSION DATE:	FILE: 2D_R-003_mo4684.CATDrawing
OPTICAL DESIGNER Stephane Gingras	DRAWING DATE: MA 5th, 2008	DWG NUMBER 4684-9-1
DESIGNER Cedric Stevenin	VERIFIED BY:	SCALE 2 : 1
DRAFTSMAN Philippe Lévesque		FOLIO: 1 / 1



GENERAL TOLERANCES

All dimension are according to SPI/SPE, commercial class, unless specified.

R-003

DBM REFLEX ENTREPRISES INC.
1620 DAGENAIS OUEST LAVAL, QUÉBEC, CANADA, H7L 5C7