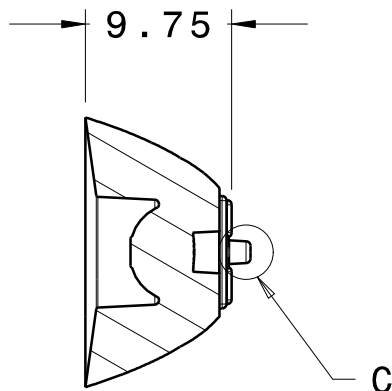
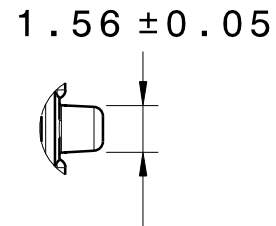


Front view
Scale: 2:1



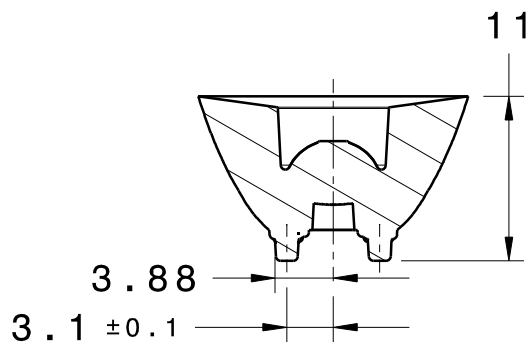
Section view A-A
Scale: 2:1



Detail C
Scale: 4:1



Isometric view
Scale: 1:1



Section view B-B
Scale: 2:1

NOTES:

- MATERIAL: ACRYLIC
- WEIGHT: 1.5 g

PROJECT MANAGER George Iatan	DIFFUSION DATE:	FILE: 2D_R-004s_mo4684.CATDrawing
OPTICAL DESIGNER Stephane Gingras	DRAWING DATE: MAY 5th, 2008	DWG NUMBER 4684-10s-1
DESIGNER Cedric Stevenin	VERIFIED BY	SCALE 2 : 1
DRAFTSMAN Philippe Lévesque		FOLIO: 1 / 1

3rd PROJECTION
GENERAL TOLERANCES
All dimension are according to SPI/SPE, commercial class, unless specified.

TITRE: R-004s ---
DBM REFLEX ENTREPRISES INC. 1620 DAGENAIS OUEST LAVAL, QUÉBEC, CANADA, H7L 5C7